

# Gripple Spider

## Concrete Insert Hanger Kit



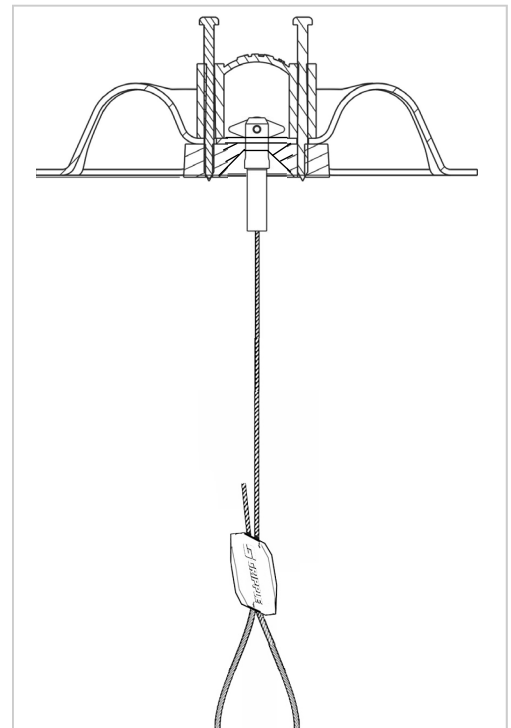
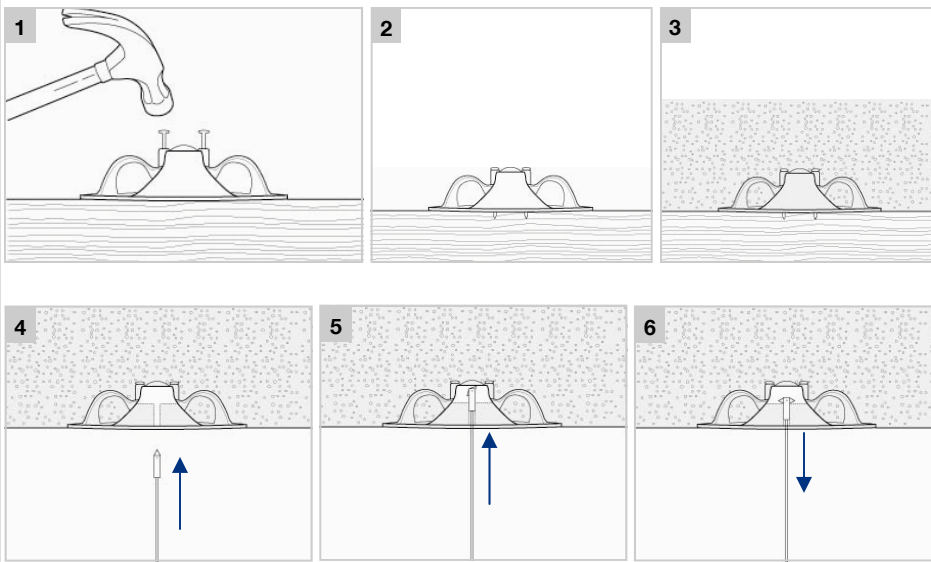
A cast-in-place concrete insert solution for hanging mechanical & electrical services including HVAC, Lighting, Conduit Racks, and Cable Tray.

### ADVANTAGES

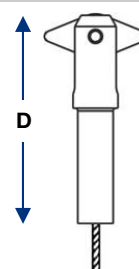
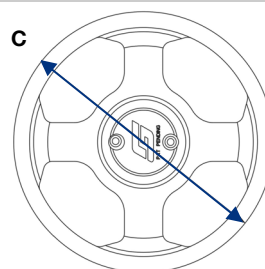
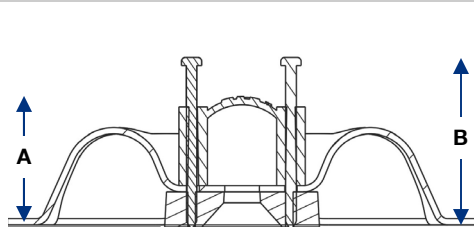
- Robust construction copes with on-site conditions before, during, and after the concrete pour.
- Ergonomically designed to prevent accidental movement before or during the concrete pour.
- Various Spider color options available, allowing contractors to easily identify their own inserts from below.
- Supplied as a ready-to-use kit which includes Spider, cable hanger with swivel toggle end fixing, and Gripple fastener.
- Spider accommodates either No.2 or No.3 size Gripple Cable Hanger, with SWL of 100 or 200 lbs per anchor point respectively.



### INSTALLATION GUIDELINES



### PRODUCT SPECIFICATIONS



Dimension	Inches
A	1 1/8"
B	1 5/8"
C	4 1/2"
D	1 1/2"